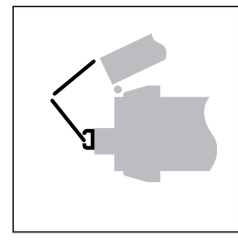


Most doors can be protected with a single Door Finger Protector® shield section, however the unique patented piggy-back design allows the shield section to be easily extended to fit any door thickness. Fully open then measure the door thickness and the maximum opening angle. Use the table adjacent to see if the shield section needs to be extended. If you prefer you can restrict the door opening angle using a door stop etc. as an alternative to extending the shield section.

**Maximum door opening angle**

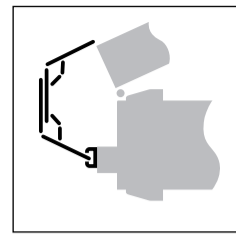
| Door thickness | up to 90°  | up to 135° | up to 180° |
|----------------|------------|------------|------------|
|                | up to 33mm | 1 shield   | 1 shield   |
| up to 45mm     | 1 shield   | 1 shield   | 2 shields  |
| up to 60mm     | 1 shield   | 2 shields  | 2 shields  |
| up to 100mm    | 2 shields  | 3 shields  | 3 shields  |

**1 shield section**  
On average 9 out of 10 doors



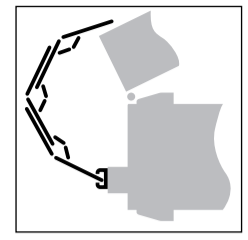
Follow stages:  
**1-21**

**2 shield sections**  
On average 1 out of 10 doors



Follow stages:  
**1-9 A-F 10-21**

**3 shield sections**  
Rare use



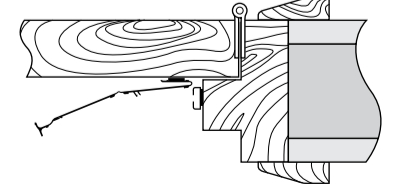
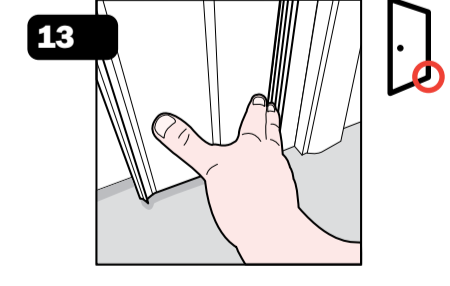
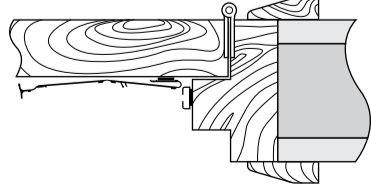
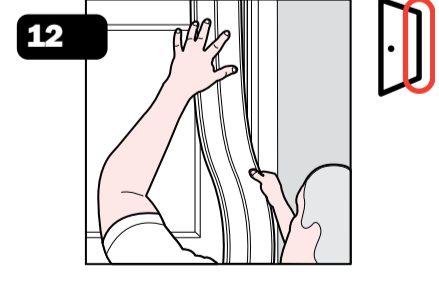
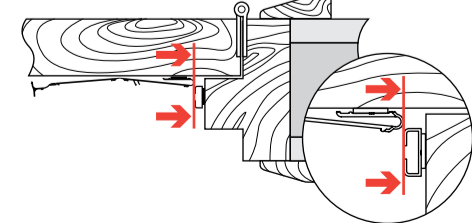
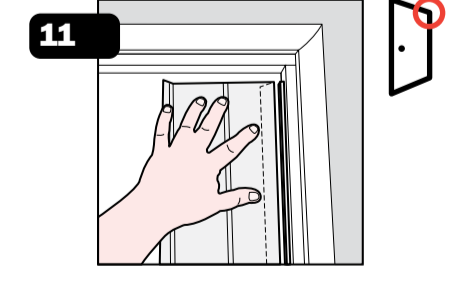
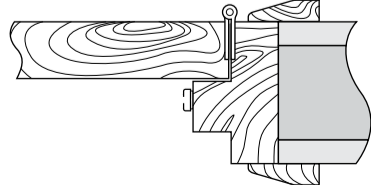
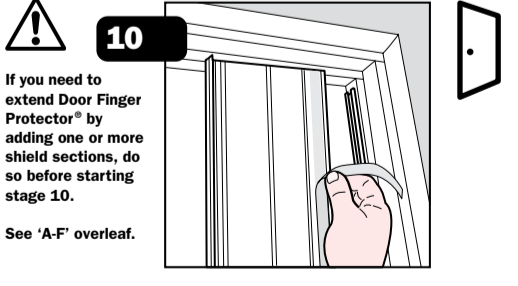
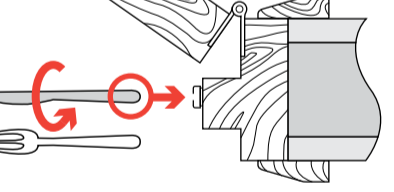
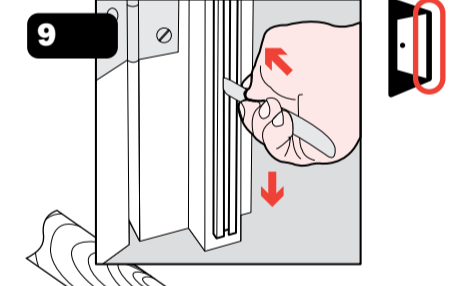
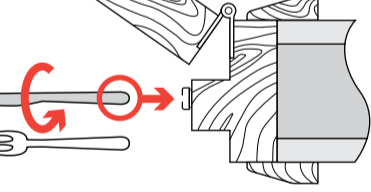
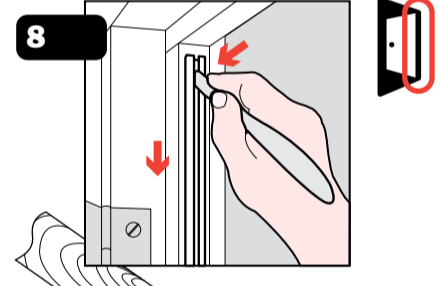
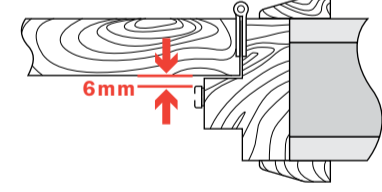
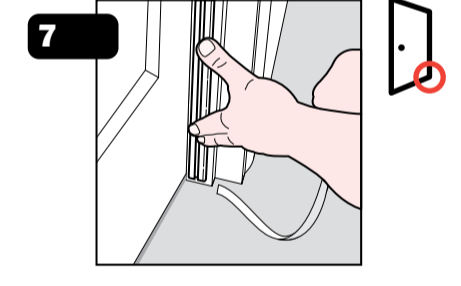
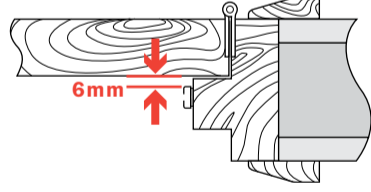
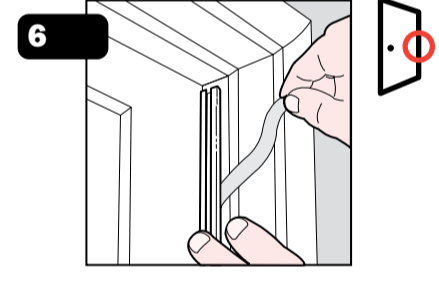
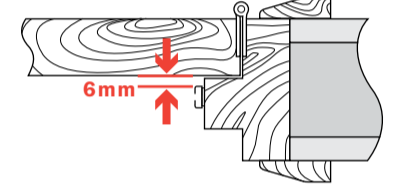
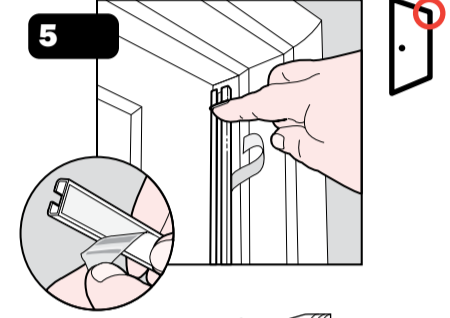
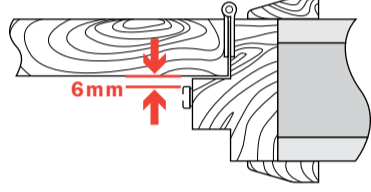
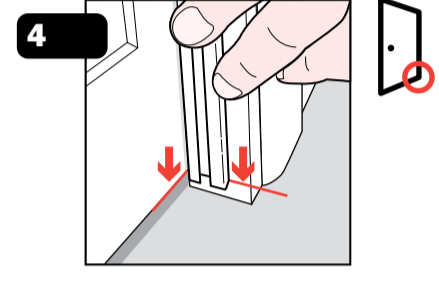
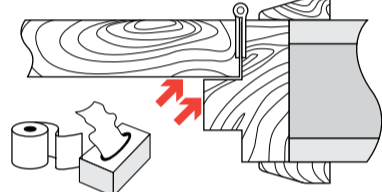
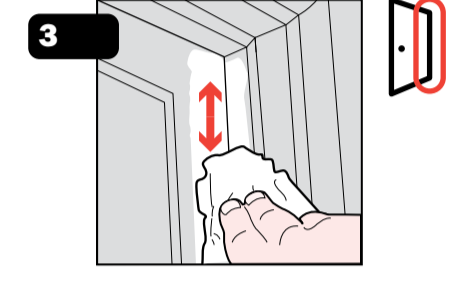
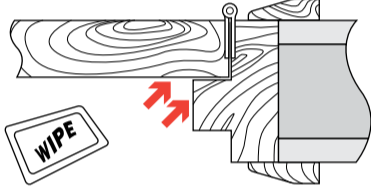
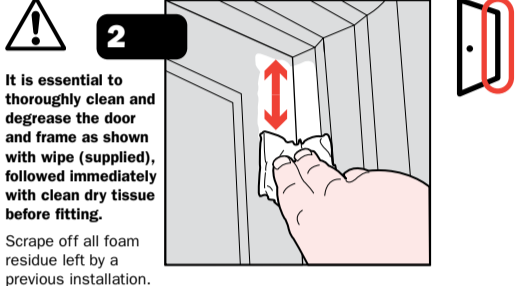
Assembled to special order

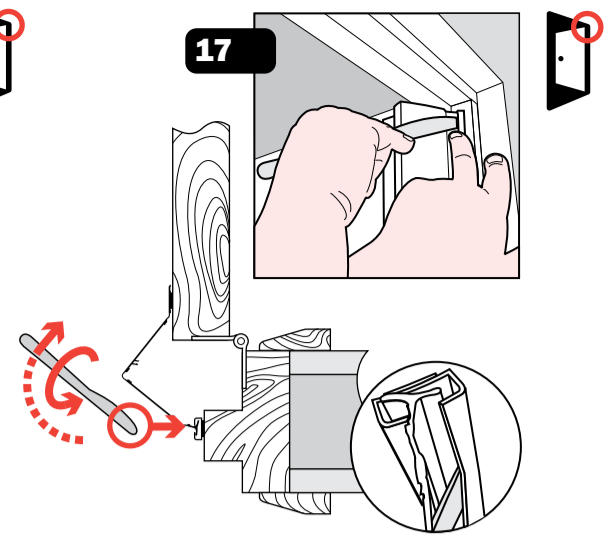
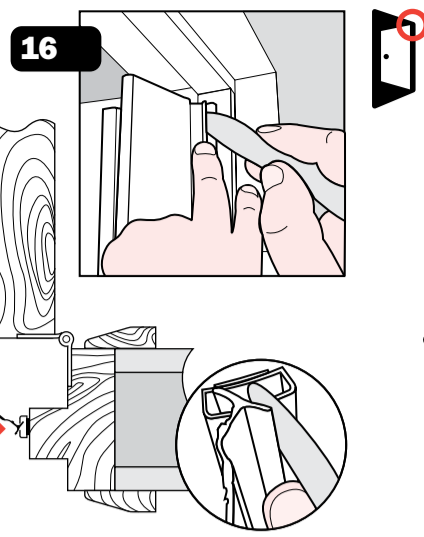
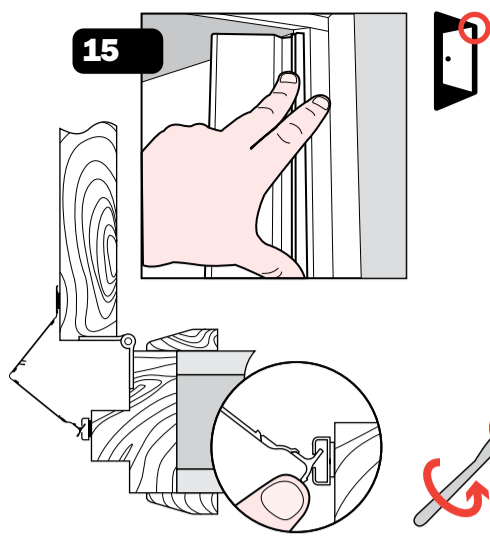
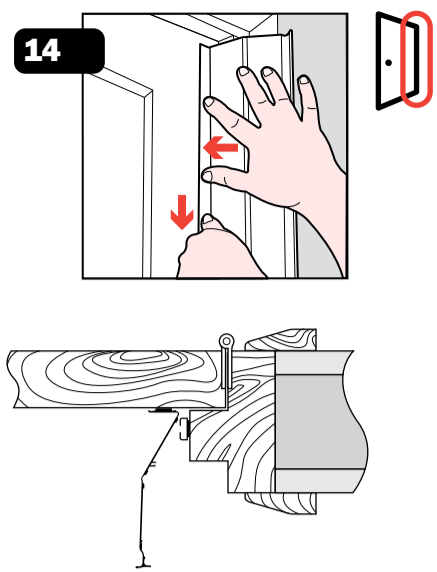


## Door Finger Protector® (HC) Standard Hinge Cavity Fitting Instructions

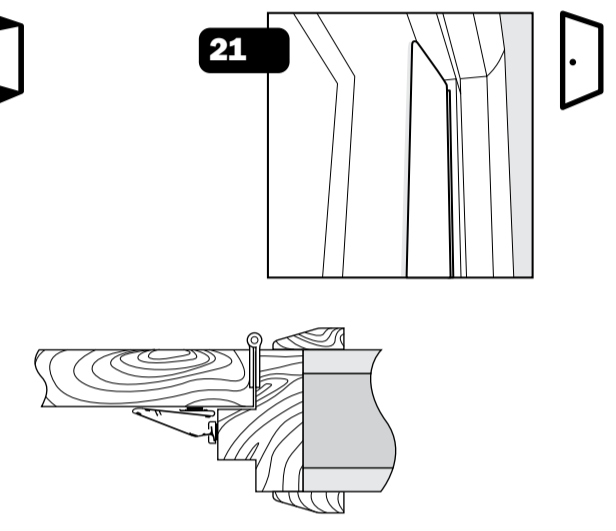
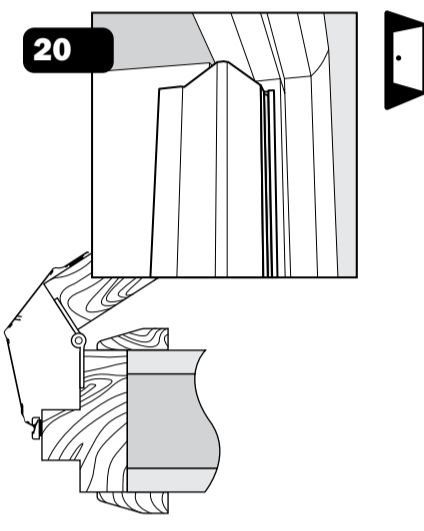
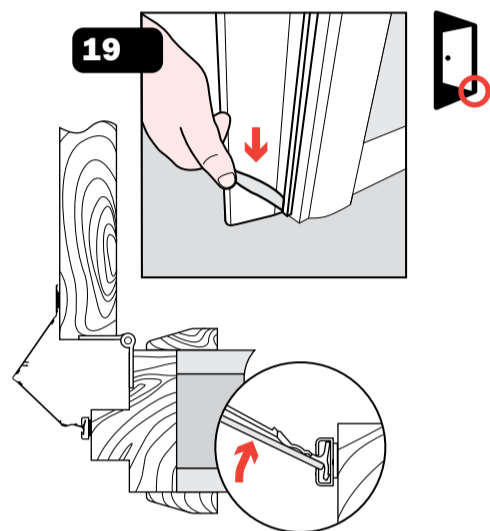
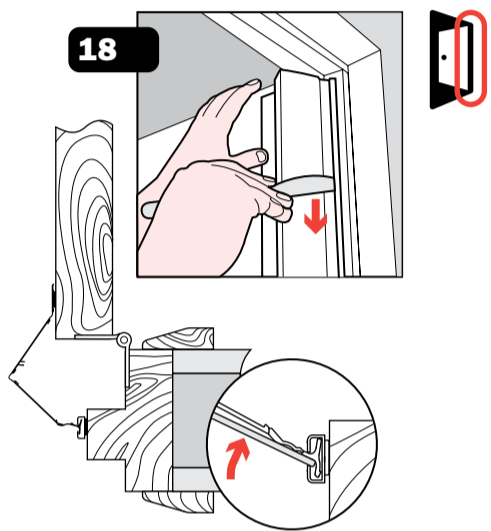
Please contact the **Safety Assured Advice Line on 0870 060 1715** if you need instructions or accessories for other door types e.g. PVCu, Crittall™ steel, aluminium, glass, pivot, bi-fold etc.

Please follow these instructions carefully. Failure to do so may adversely affect the performance of your Door Finger Protector®. Liability will not be accepted due to failure to fit the device strictly in accordance with the meaning of these instructions. YOUR STATUTORY RIGHTS ARE NOT AFFECTED.

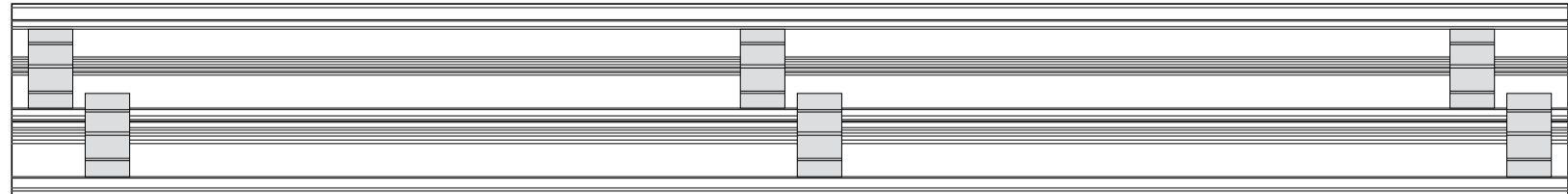
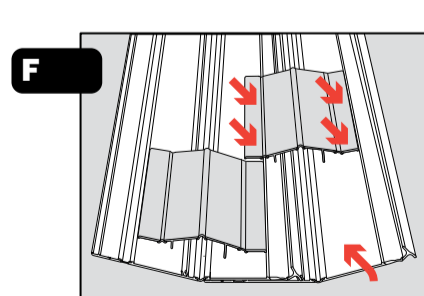
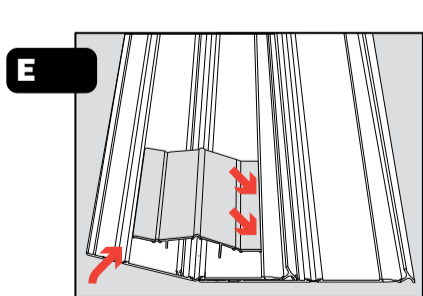
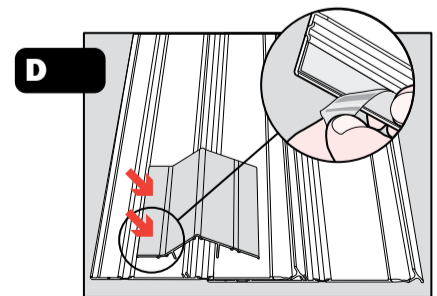
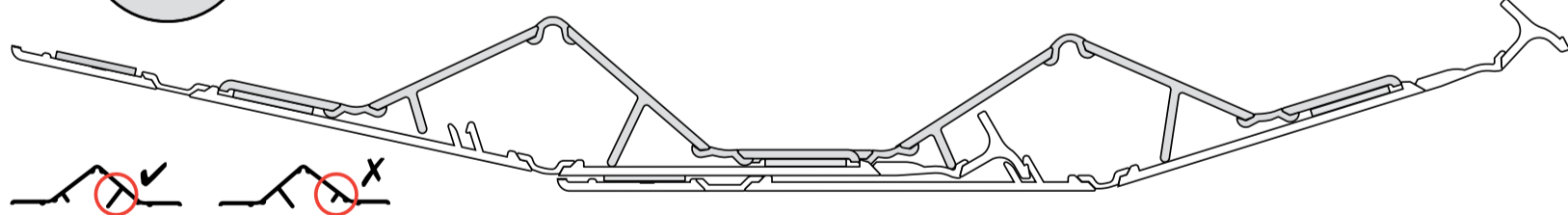
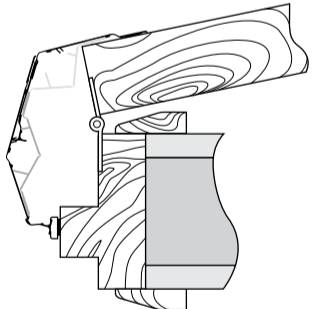
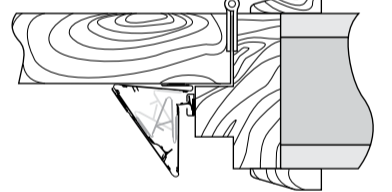
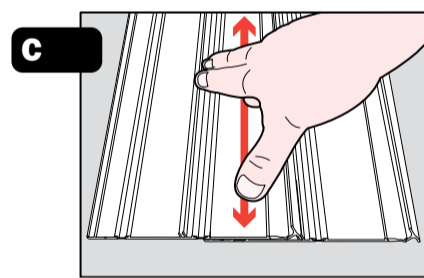
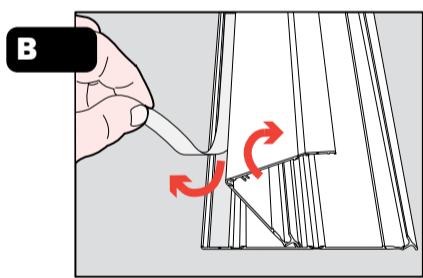
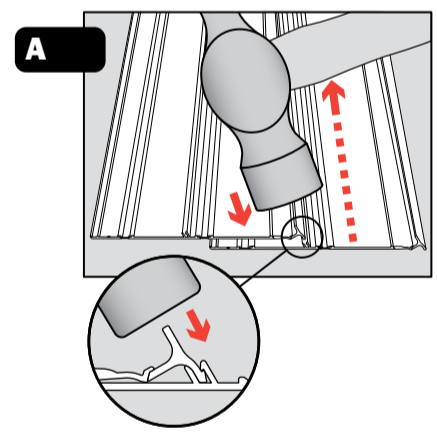




To temporarily unclip shield for hinge maintenance reverse stages 17 and 16 sliding knife downwards.



**Extending Door Finger Protector® shield section** for doors opening beyond the span of one hinge shield section



www.safetyassured.com

**Safety Assured Limited**  
 Innovation House  
 385 Chepstow Avenue  
 Hornchurch, Essex  
 RM12 6AU  
 United Kingdom  
 T: +44 (0)1708 855 777  
 F: +44 (0)1708 855 125  
 E: info@safetyassured.com